

Ultragaugage/Scangauge Mounting Bracket Installation Instructions

'01-'04 Tacoma '05-'15 Tacoma
'00-'06 Tundra '07-'13 Tundra
'14+ Tundra



NOTE: The latest version of the installation manual is on our website. Please download it and check its release date against the date of this manual (highlighted in yellow on top of page). Follow the instructions of the latest release date. Link to manual - <https://spikerengineering.com/installation>

Thank you for purchasing the Spiker Engineering Ultragaugage/Scangauge Mounting Bracket. Please follow this manual carefully to ensure a quality installation and many years of reliable service..

If you have any questions or concerns at any point of the installation process, please contact us at service@spikerengineering.com before proceeding.

Quick Start Guide

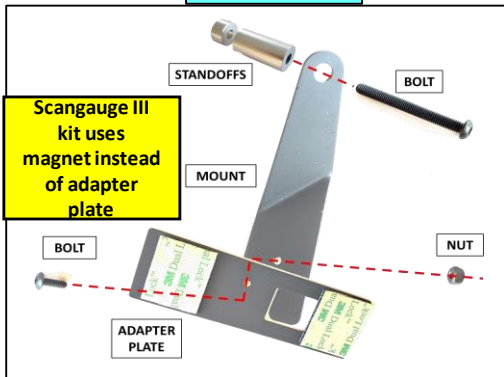
To get you started, below is an overview of the steps involved in installation. The details of these steps are provided in the sections to follow. The typical installation should take less than 30 minutes.

Installation Overview:

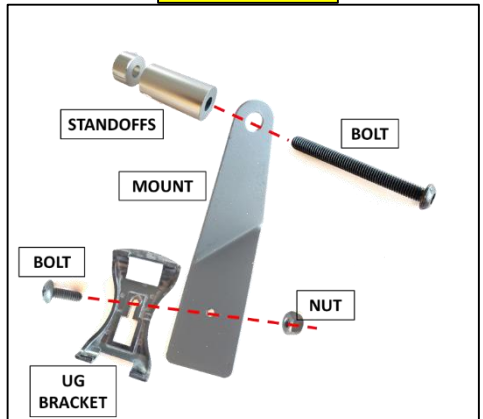
- A. Preparation
- B. Remove the A-pillar handle screw
- C. Install the mounting bracket
- D. Route the cable
- E. Enjoy a beverage of your choice to celebrate!

The figures below provide an overall view of the components involved in the installation, please refer to them as you go through the steps in the following sections.

Scangauge Kit



Ultragaugage Kit



A. Preparation

Check kit contents:

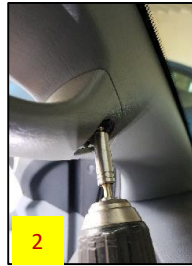
- (1) Mounting Bracket
- (2) Standoffs (one short, one long)
- (1) M6 Mounting bolt
- (1) 4-40 Bolt and locknut
- (1) Adapter plate & IPA wipe (Scangauge II kit only)
- (1) Window Sticker

Required tools:

- Standard mechanics tool set
- Drill and 1/8" bit (Ultragaugue only)

B. Remove A-Pillar Handle Screw

1. Pry off the lower screw cover with a small flat blade screwdriver (Fig 1). Next, remove the factory M6 screw using an appropriate tool - some vehicles use a hex head screw, others use Torx, (Fig 2). You can discard the access cover and the screw after removing.



C. Install the Mounting Bracket

Note: For 3rd Gen Tundra vehicles which did not come factory equipped with a grab handle, you will need to buy and install the following Toyota parts before proceeding:

- A-pillar trim - 62220-0C050-B0 (Gray) or 62220-0C050-E0 (Beige)
- Handle - 74610-0C082-B0 (Gray) or 74610-0C082-E0 (Beige)
- M6x1.0 U-clip

2. Take the supplied M6 screw and slip it through the mounting bracket as shown in Fig 3. Next, install either one or both of the supplied standoff(s) over the screw, behind the bracket, as shown in Fig 4. Use a combination of standoffs to clear the grab handle – for example, use **both** standoffs for '01-04 Tacoma, and only the **long** standoff for '05-15 Tacoma.

Place the mounting bracket over the handle, and thread the M6 screw into the A-pillar (Fig 5). Do not fully tighten the screw at this point.



For **Ultragaugue** kit, skip to step 8. For **Scangauge II** Kit, proceed to step 4. For **Scangauge III** kit, place the Scangauge III on the magnet and proceed to Step 13.

SCANGAUGE KIT

4. Place the adapter plate in front of the mounting bracket, and line up the holes, making sure that the cutout in the adapter plate is on the right, as shown in Fig 6. Secure the two brackets together with the 4-40 bolt and nut provided. Don't fully tighten the nut at this point, to allow adjustments.



5. Sit in the driver's seat, and adjust the angle of the mounting bracket on the A-pillar, as well as the clocking angle of the adapter plate on the mounting bracket, until the plate points at your face (Fig 7). Once you're satisfied with the adjustments, tighten the handle's M6 screw securely, then tighten the 4-40 locknut and the bolt (hint – tighten the locknut just enough to be snug, to allow future tilt adjustments; the locknut will prevent loosening of the bolt.)

6. Clean the back of the Scangauge with the supplied IPA wipe. Remove the liner from the Dual Lock strips on the adapter plate, and adhere the Scangauge to the Dual Lock strips, being careful to line up the Scangauge and the adapter plate (Fig 8). Press the Scangauge against the Dual Lock strips on the adapter plate firmly to engage the adhesive, and hold tight for about 30 seconds.



7. Proceed to Step 13.

ULTRAGAUGE KIT

8. The preferred Ultragaugage mounting method is to use the bracket supplied with each Ultragaugage, although Dual Lock mounting is also an option. If you do not have the Ultragaugage bracket, you can contact Ultragaugage for a replacement, or purchase one from them, or use a Dual Lock strip (available from us free of charge).

9. Prepare the bracket by drilling an 1/8" hole near the top of the slot, as shown in the red circle in Fig 9.



10. Place the Ultragaugage bracket against the mounting bracket, and line up the holes. Secure the two brackets together with the 4-40 bolt and nut provided (Fig 10). Don't fully tighten the nut at this point, to allow adjustments.



11. Snap the Ultragaugage into the bracket (Fig 11).



12. Sit in the driver's seat, and adjust the angle of the mounting bracket on the A-pillar, as well as the clocking angle of the Ultragaugage on the mounting bracket, until the gauge points at your face (Fig 12). Once you're satisfied with the adjustments, tighten the handle's M6 screw securely, then unsnap the Ultragaugage and tighten the 4-40 locknut and the bolt (hint – tighten the locknut just enough to be snug, to allow future tilt adjustments; the locknut will prevent loosening of the bolt). Reinstall the Ultragaugage into the bracket.

D. Route the Cable

13. Leave a small loop of cable near the Ultragaugage/Scangaugage, then route the cable along the A-pillar and to the left of the dash. You can also tuck the cable between the a-pillar and the door weatherstrip.

Connect the cable to the OBDII port under the dash ('01-04 Tacoma – right side; '05-15 Tacoma – left side). Zip tie or tuck away any excess portion of the cable.

Final Notes

If you have any questions or issues during installation, please email us at service@spikerengineering.com.

If you ever want to mount an additional 2-1/16" gauge to monitor a function not provided by the Ultragaugage or Scangaugage, you can use one of our add-on gauge holders to conveniently attach to the mounting bracket, as shown below. These are available at <https://spikerengineering.com/product/gauge-holder>.



Finally, please post a product review at our webpage –

<https://spikerengineering.com/product/scangauge-mount-01-15-tacoma#reviews>

<https://spikerengineering.com/product/ultragaugage-mount-01-15-tacoma#reviews>

Thank you again for purchasing this mount, we hope you enjoy it for many years to come!